



www.hafele.com



A **B**

C 2x

D 2x

E 2x

F 2x

G

H

+

I **J**

110°

XXX.XX.XXX 372.64.79X

+

2x **K**

372.64.991

4x 4 x 10

2x **L**

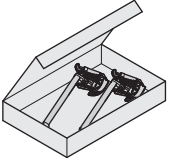
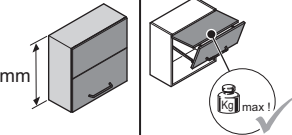
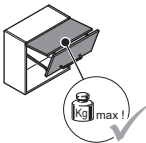

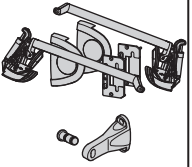
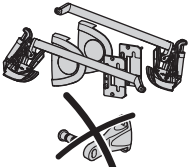

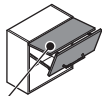
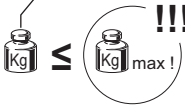
372.64.995

4x 4 x 16


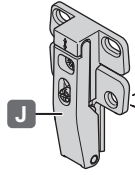


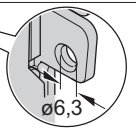

732.23.012

12.0001.010.384.0000.00

HDE 10.06.2013

i				
				
				
  	540 - 580	3,0 - 6,5 kg	372.64.601	372.64.901
		6,0 - 12,0 kg	372.64.602	372.64.902
		9,0 - 18,0 kg	372.64.603	372.64.903
		12,0 - 24,5 kg	372.64.604	372.64.904
	580 - 640	3,0 - 6,0 kg	372.64.611	372.64.911
		6,0 - 11,0 kg	372.64.612	372.64.912
		9,0 - 17,0 kg	372.64.613	372.64.913
		12,0 - 23,0 kg	372.64.614	372.64.914
	640 - 700	3,0 - 5,5 kg	372.64.621	372.64.921
		5,5 - 10,0 kg	372.64.622	372.64.922
		8,0 - 16,0 kg	372.64.623	372.64.923
		10,5 - 21,5 kg	372.64.624	372.64.924
	700 - 780	3,5 - 5,5 kg	372.64.631	372.64.931
		5,0 - 9,0 kg	372.64.632	372.64.932
		7,0 - 15,0 kg	372.64.633	372.64.933
		9,0 - 20,0 kg	372.64.634	372.64.934
	780 - 840	5,0 - 9,0 kg	372.64.642	372.64.942
		7,0 - 13,0 kg	372.64.643	372.64.943
9,0 - 17,0 kg		372.64.644	372.64.944	
840 - 900	5,0 - 12,0 kg	372.64.653	372.64.953	
	7,5 - 16,0 kg	372.64.654	372.64.954	

732.23.012

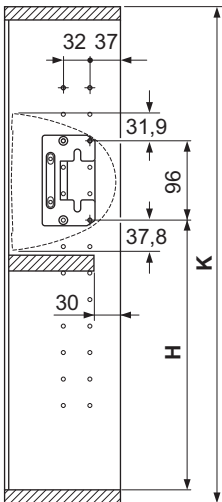
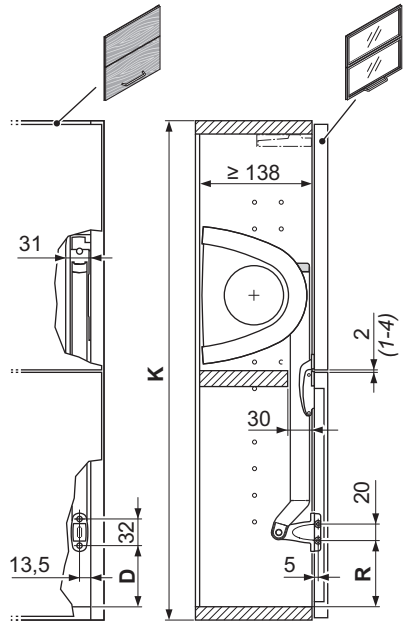
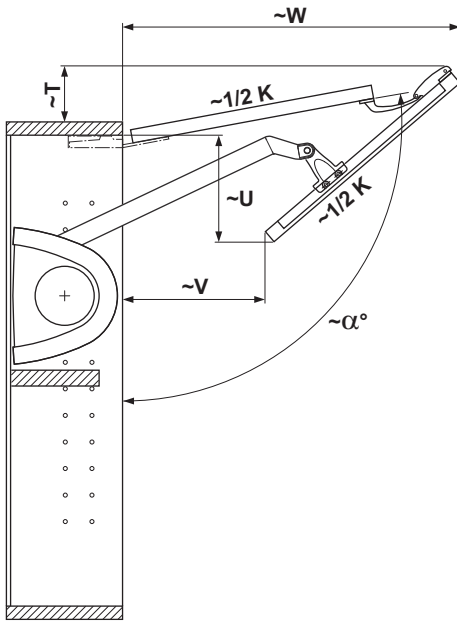
+				
	 $\varnothing 4,2$	372.64.796		
	 $\varnothing 6,3$	372.64.797	 Euro	

12.0001.010.384.0000.00

HDE 10.06.2013

i

mm



mm	α [°]	D	H	R	T	U	V	W
550 (540 - 580)	101	57,5	290	63,5	70	139	192	380
600 (580 - 640)	100	73,5	326	79,5	70	130	170	405
650 (640 - 700)	103	67,5	340	73,5	95	160	220	425
720 (700 - 780)	102	75,5	378	81,5	96	207	261	456
800 (780 - 840)	100	71,5	392	77,5	85	255	260	500
865 (840 - 900)	102	47,5	400	53,5	120	260	315	525

732.23.012

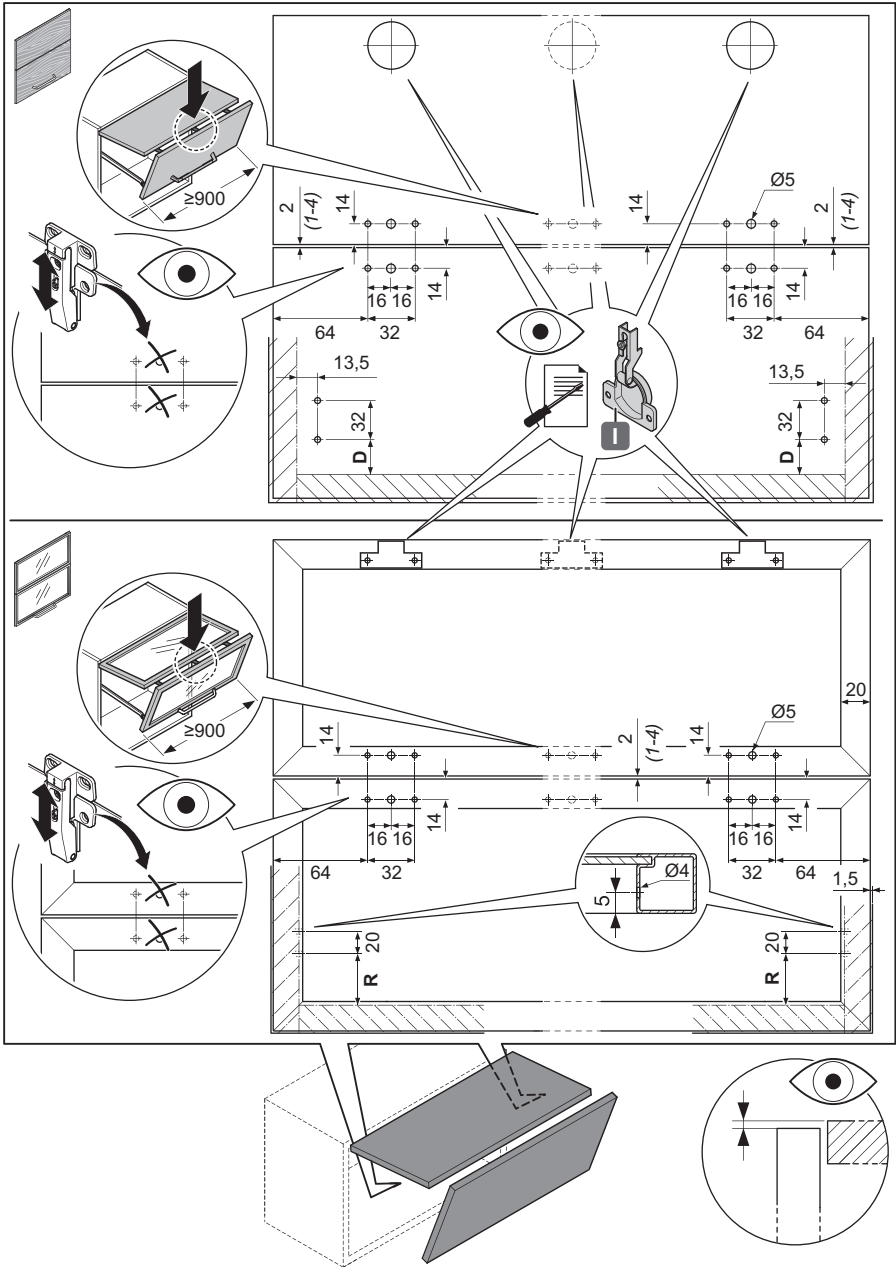
12.0001.010.384.0000.00

HDE 10.06.2013

1



mm

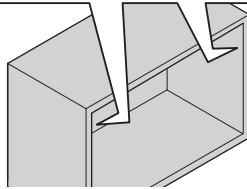
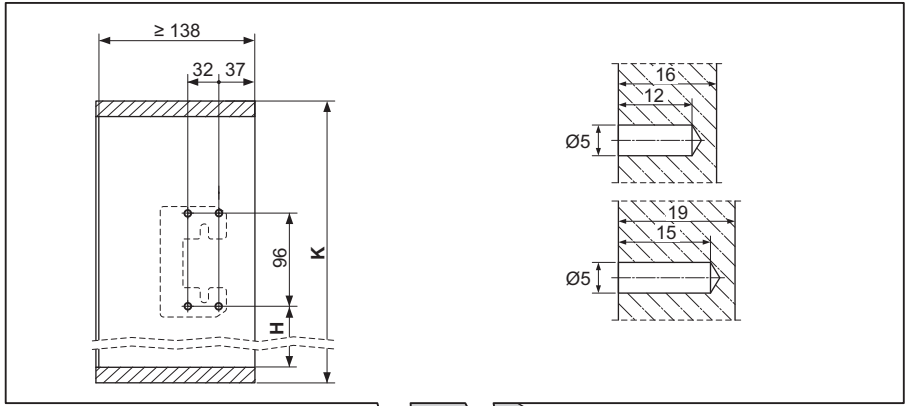


732.23.012

12.0001.010.384.0000.00

HDE 10.06.2013

2

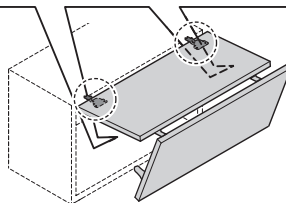
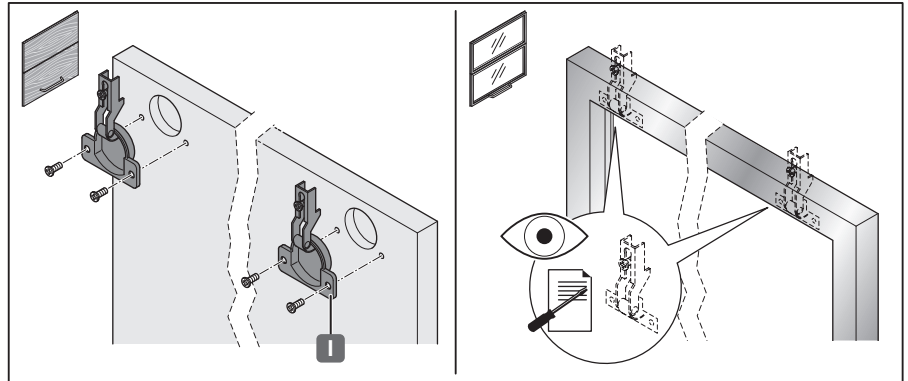


732.23.012

3



PZ 1 / 2



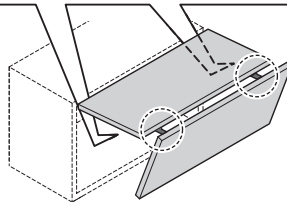
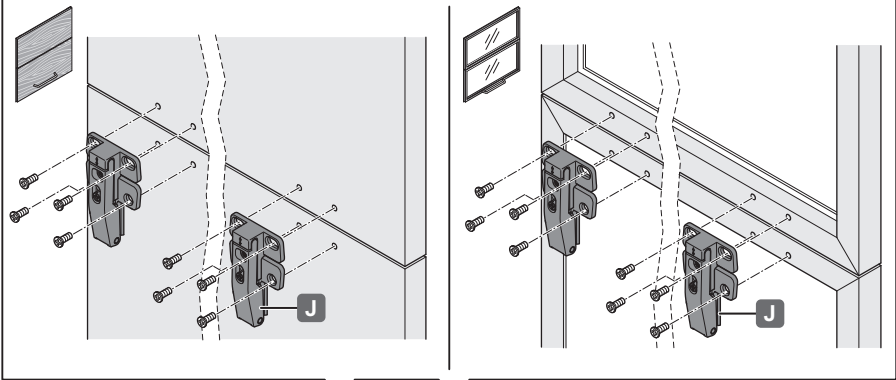
12.0001.010.384.0000.00

HDE 10.06.2013

4



PZ 1/2



732.23.012

5



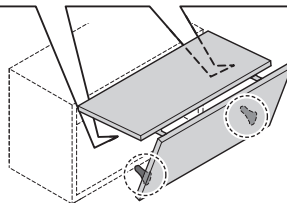
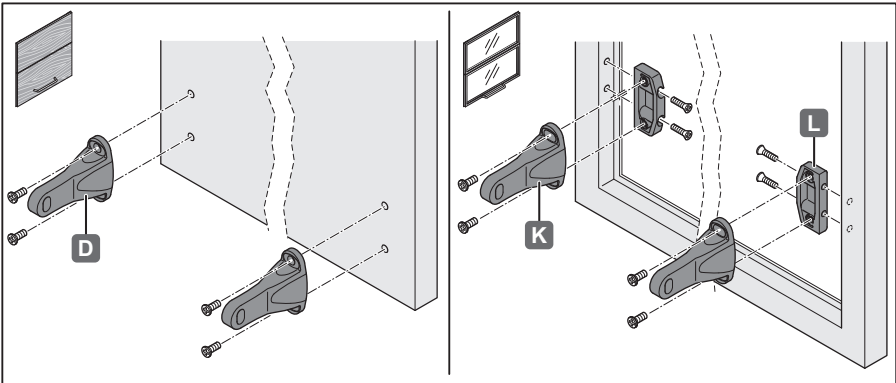
PZ 1/2



4 x 10



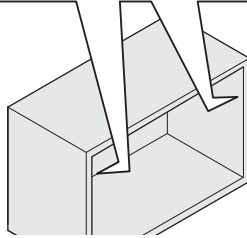
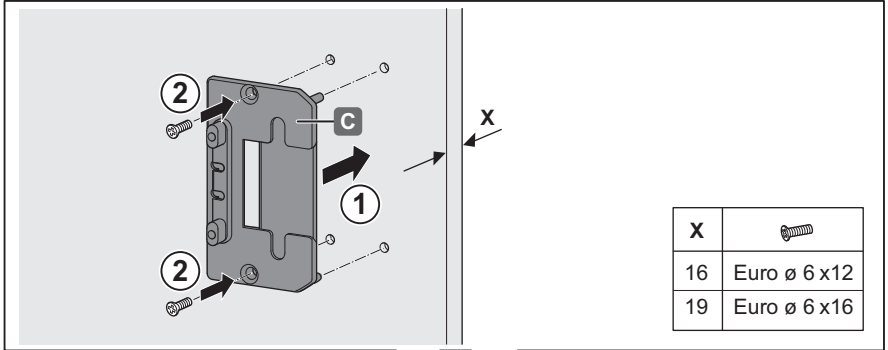
4 x 16



12.0001.010.384.0000.00

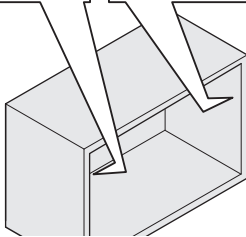
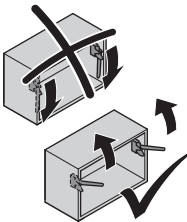
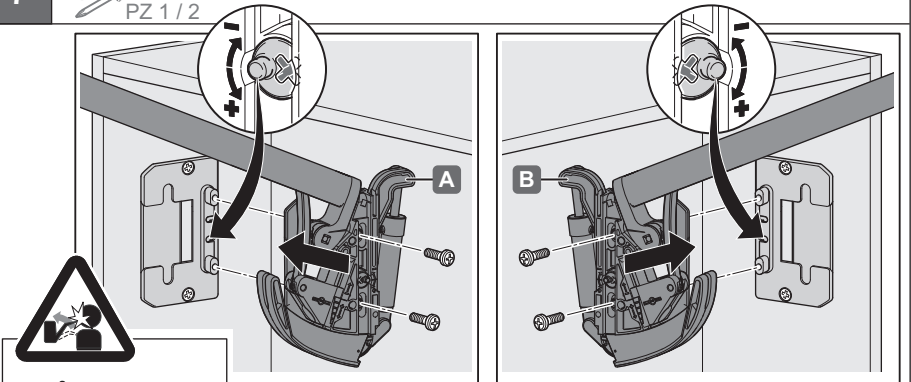
HDE 10.06.2013

6



732.23.012

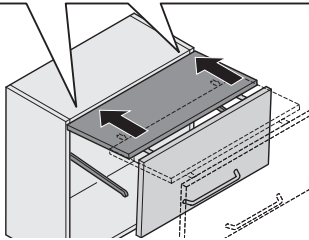
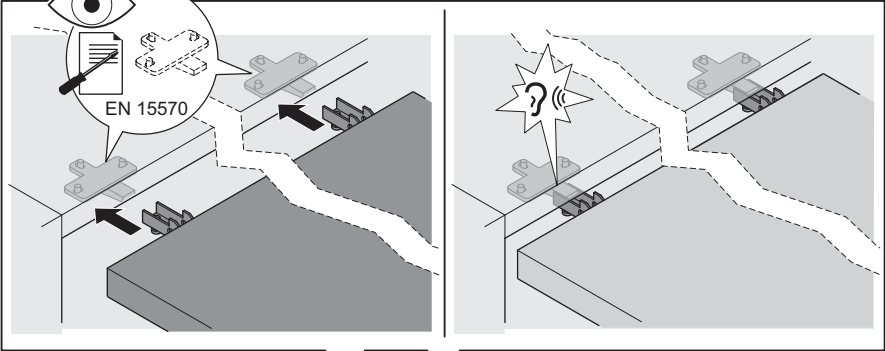
7



12.0001.010.384.0000.00

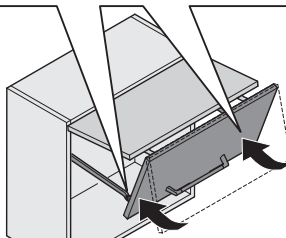
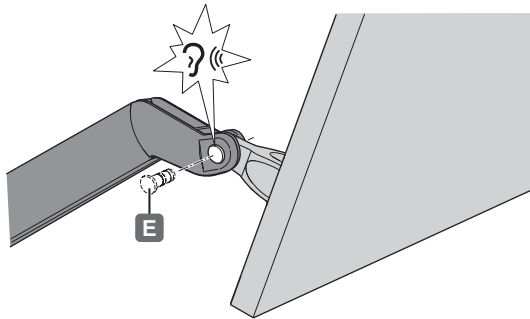
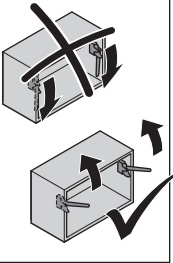
HDE 10.06.2013

8



732.23.012

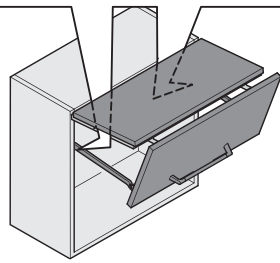
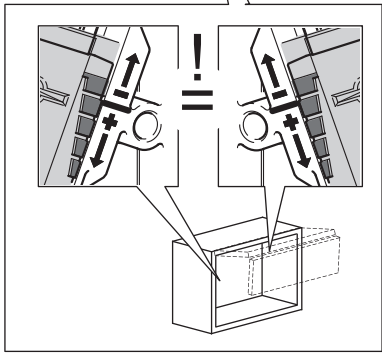
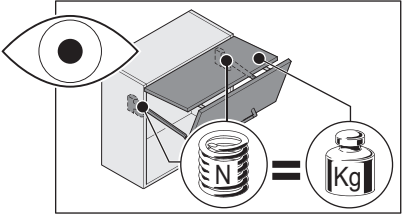
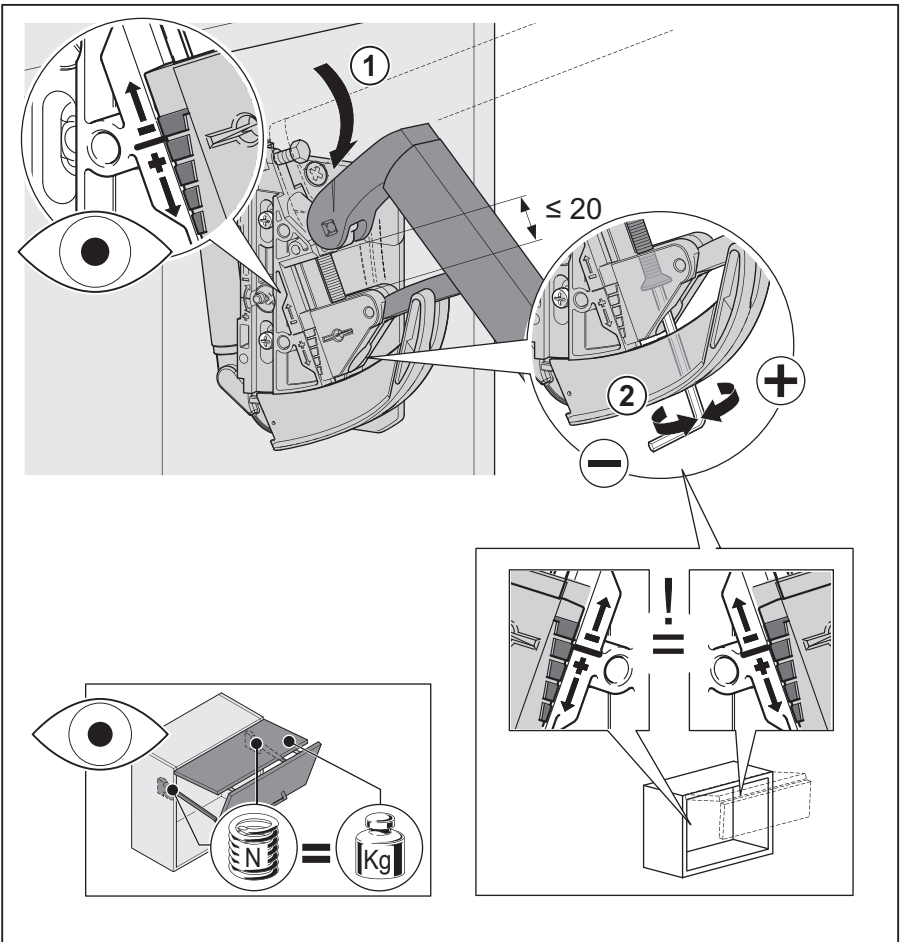
9



12.0001.010.384.0000.00

HDE 10.06.2013

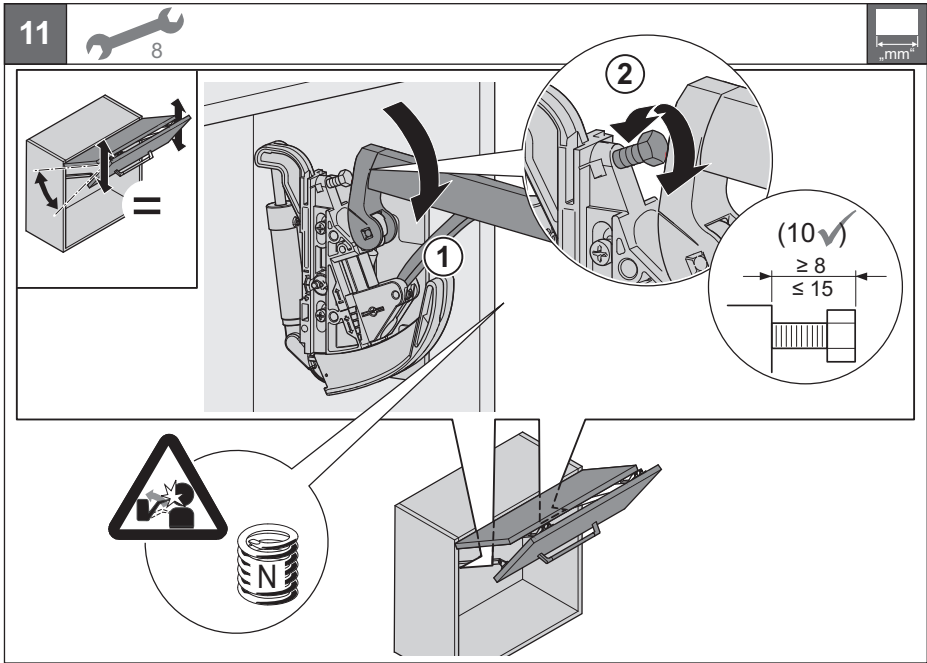
10



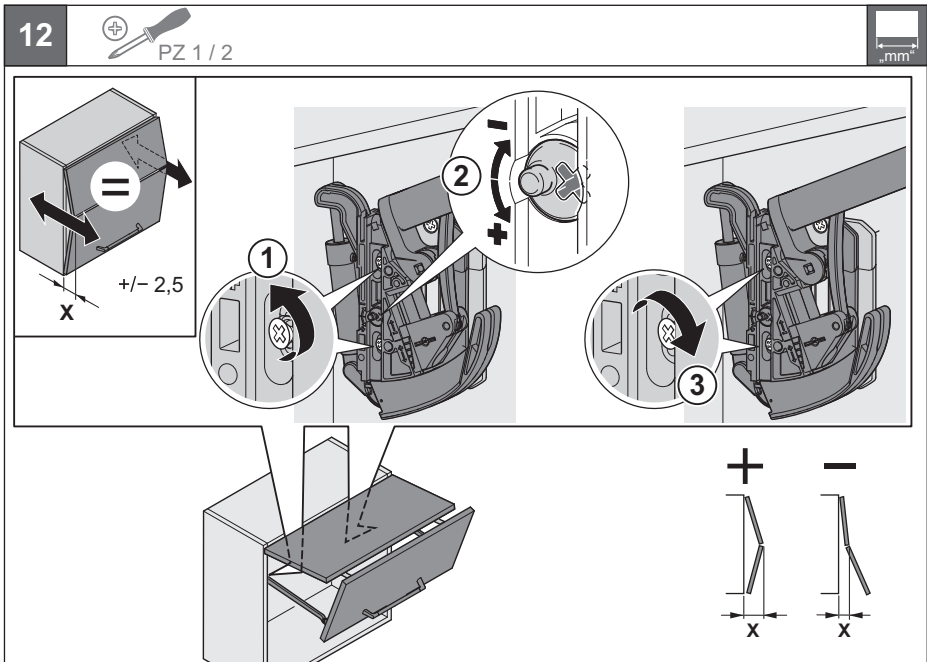
732.23.012

12.0001.010.384.0000.00

HDE 10.06.2013



732.23.012



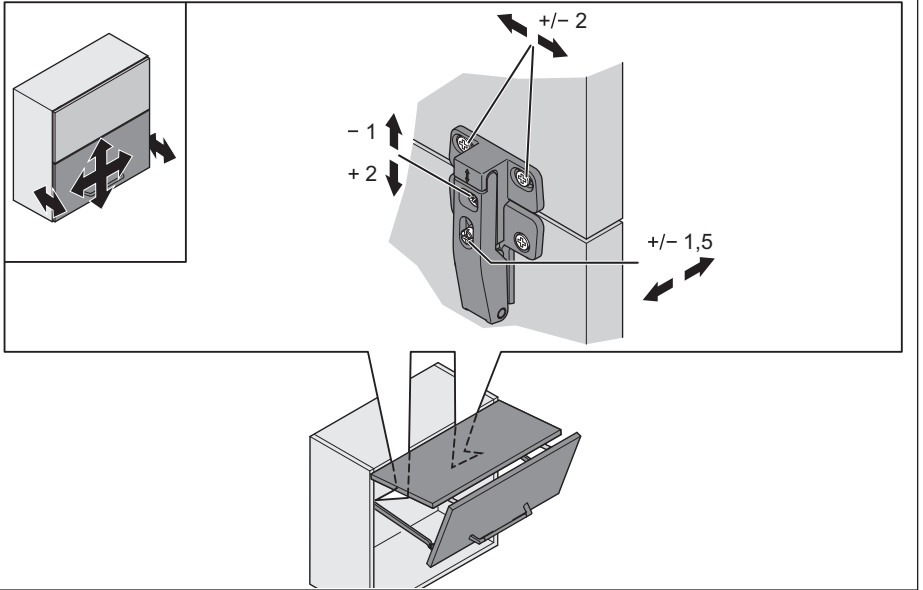
12.0001.010.384.0000.00

HDE 10.06.2013

13

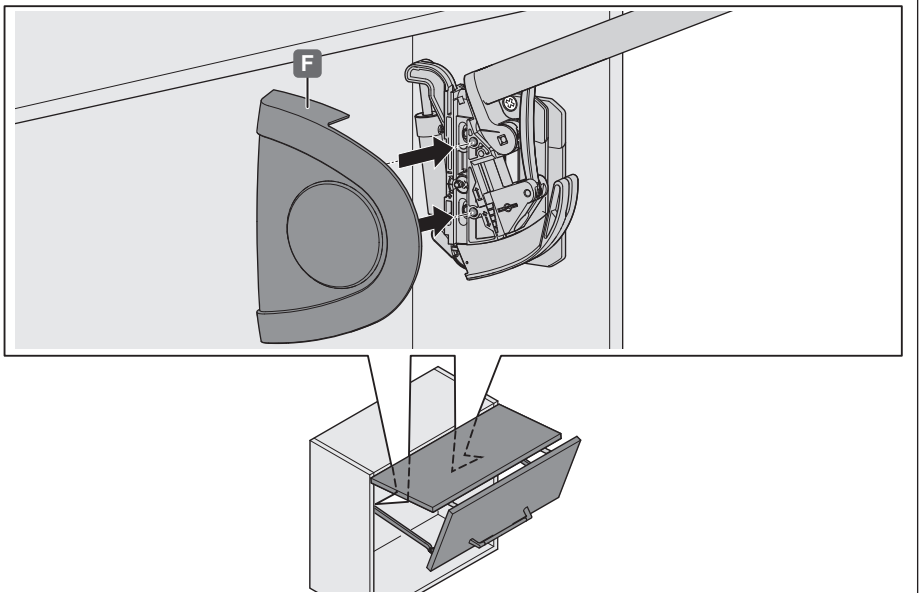


PZ 1/2



732.23.012

14



12.0001.010.384.0000.00

HDE 10.06.2013

732.23.012

12.0001.010.384.0000.00

HDE 10.06.2013